

EUROFLOW TOTAL SOLUTIONS



ROTARY TABLES

Our standard rotary tables range from 0.8m diameter to 1.5m diameter. These units have HDPE wear /support runners and can be supplied with an outer ring for clip-on tables as below.

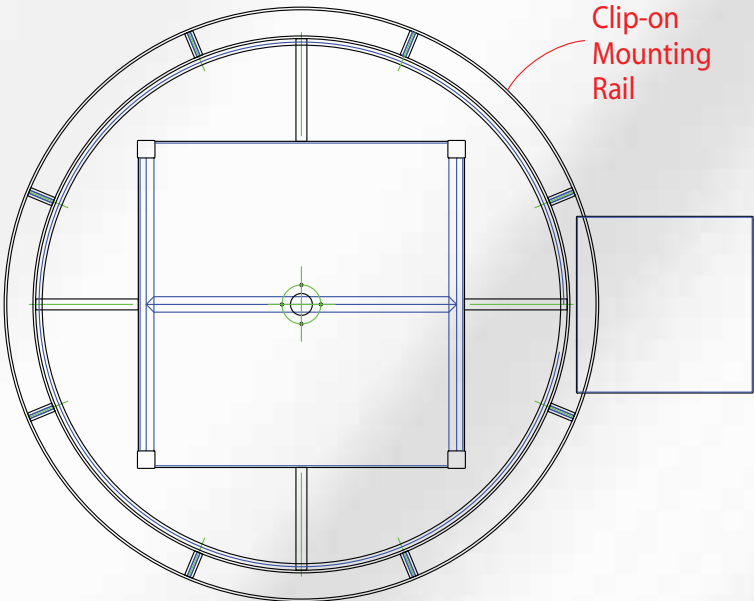
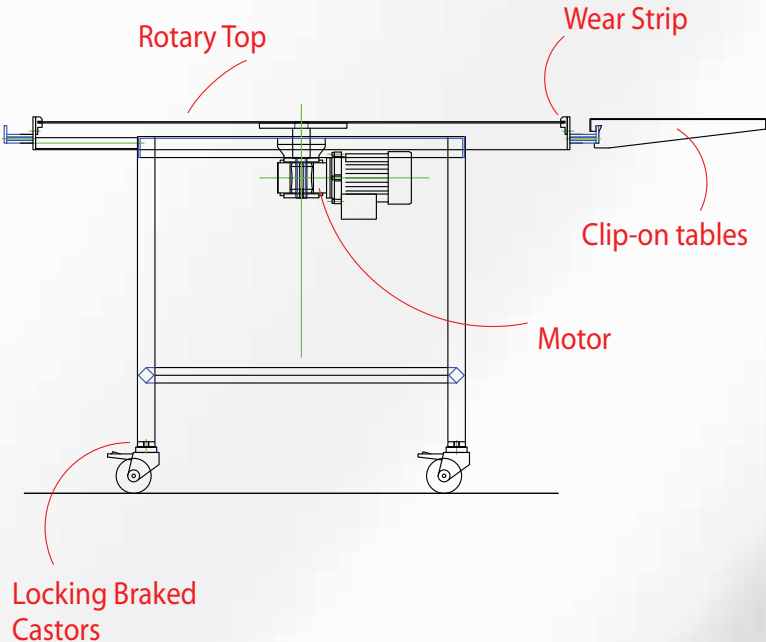


An exterior guide strip can also be added for product orientation to suit customer needs. The base frame can be either adjustable jacking feet or swivel braked castors.

Control can be fixed speed or inverter control to suit your needs.



Specialist Stainless Steel Process & Packaging Systems



EUROFLOW



TOTAL SOLUTIONS