

EUROFLOW TOTAL SOLUTIONS



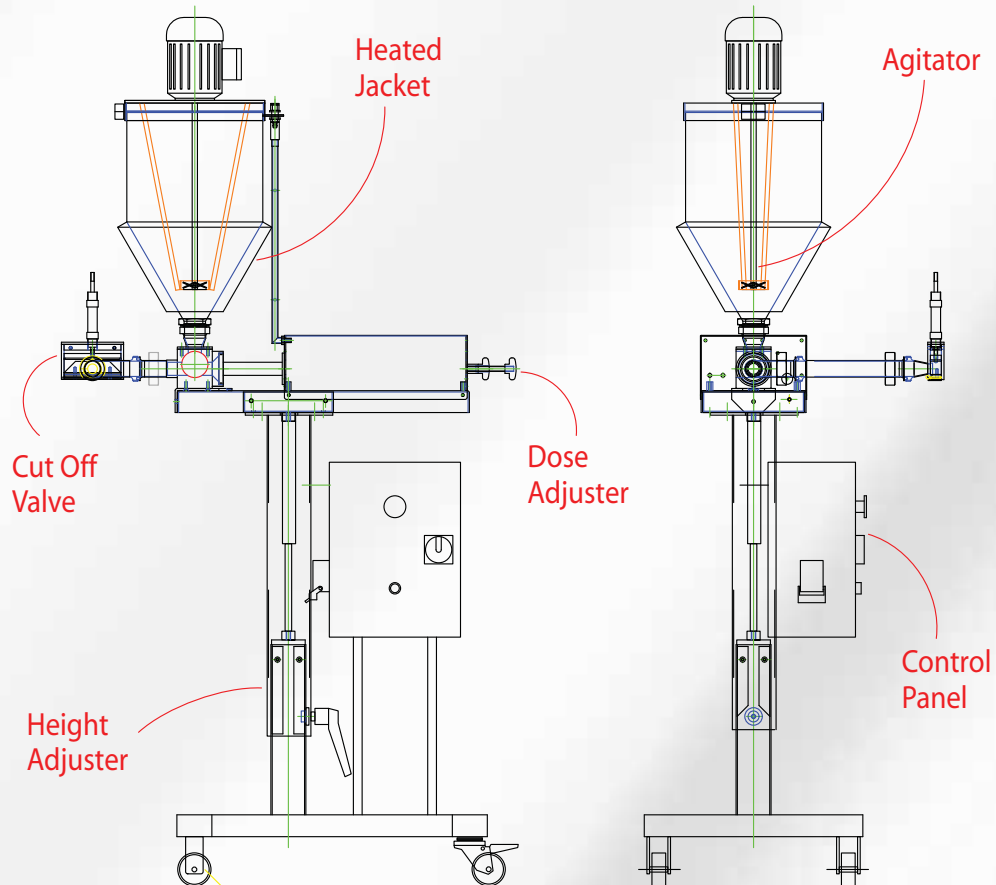
PUMPS & DEPOSITORS

A Euroflow pump or depositor is designed with tough working conditions in mind and always offers simple user interface with ease of adjustment.

We can accurately deposit up to 8 litres per shot on our standard products and our systems are designed to handle media from oil and creams to pickles and sauce based ready meals with large particulates.



Specialist Stainless Steel Process & Packaging Systems



EUROFLOW



TOTAL SOLUTIONS