

# EUROFLOW TOTAL SOLUTIONS

## COMPLETE SYSTEMS

The culmination of our expertise results in a complete system. We understand that all products, containers and output requirements are different therefore we design and manufacture all of our systems on a bespoke basis. "Why pay for a standard machine, have it modified to suit your products and not require all of it's functions, when you can have the machine you need and save money."

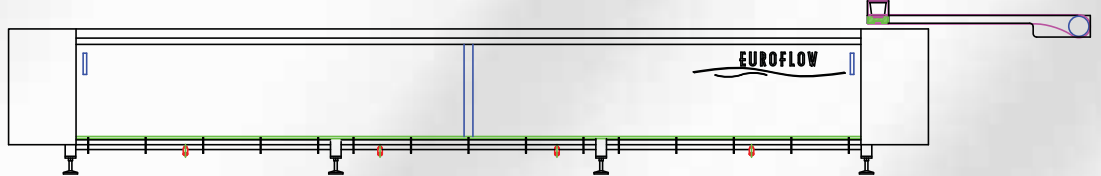
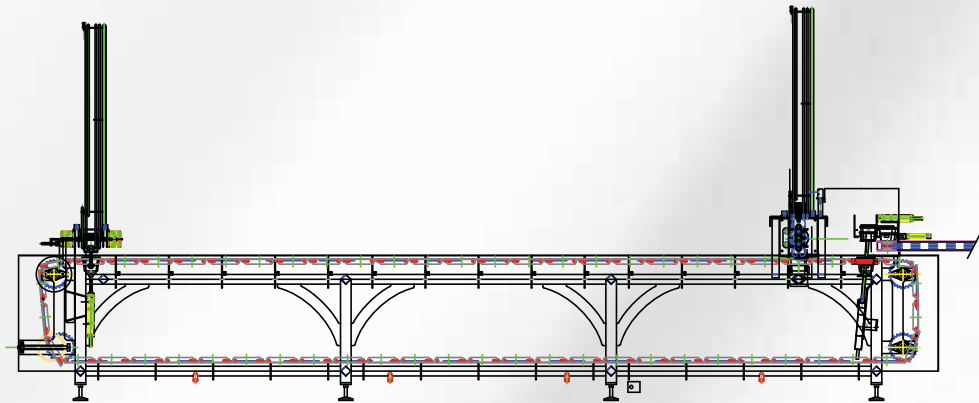
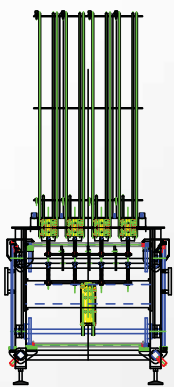
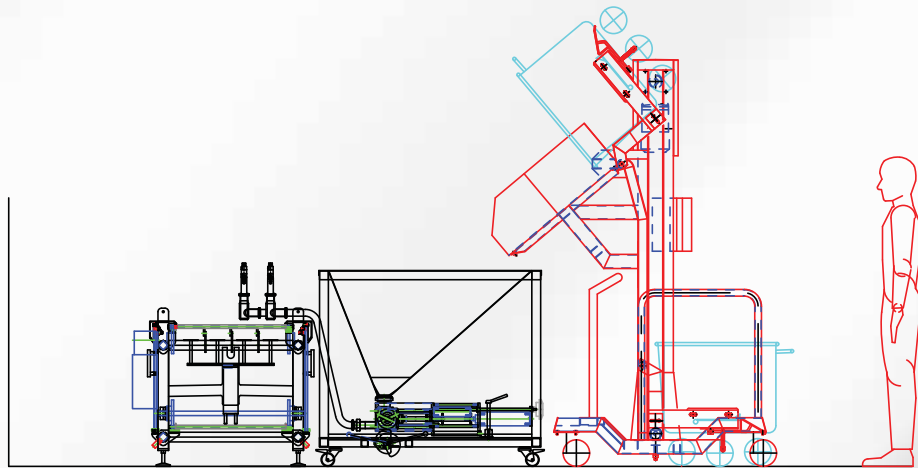
**MACHINE:** 4 lane automatic filling systems.

**INPUT:** Rectangular or circular containers, varying heights.

**FILLING:** Coleslaw, potato and pasta salads.

**OUTPUT:** Single file outfeed for existing equipment 100 ppm.

Specialist Stainless Steel Process & Packaging Systems



EUROFLOW



TOTAL SOLUTIONS